



**Product description**

A range of high temperature Nickel Cadmium (NiCd) batteries suitable for emergency lighting applications. They are available as either 1.6Ah 'Sub-C' single sticks or 4.0Ah 'D' cells in both stick and side-by-side configuration with mounting plate. Rated at a continuous operating temperature 55°C, they have a 1-year warranty covering manufacturing defects and 4-year design life to Annex A of EN60598-2-22.

**Properties**

- > High temperature Nickel Cadmium batteries
- > Continuously rated to 55°C
- > 'D' size 4Ah and 'SC' size 1.6Ah batteries as standard
- > Industry standard configurations
- > Connections via polarised tags
- > Supplied with flying leads as standard. Alternative options available
- > Complies with EN61951-1 and suitable for luminaires conforming to EN60598-2-22
- > Suitable for installations to EN50172
- > A range of mounting accessories available
- > Other capacities and non standard, custom configuration design service available upon request

**Accessories**

A range of cable assemblies and mounting accessories are available please refer to page 2.

**Battery configurations**

Batteries can also be ordered in various combinations of the standard formats to suit your requirements. Please contact us for more details.

Common Technical Data	
Absolute Maximum Temperature	70°C
Maximum Continuous Temperature	55°C
Minimum Ambient Temperature	5°C
Charge Requirements	C/20 for 24 hours Constant Current (CC)
Storage	0-25°C for 12 months

Disposal at registered treatment facility only



Model Number	Number of cells	Capacity	Format	Standard Pack Quantities	Weight
NCD216SS	2	1.6Ah	Stick	140	14.5kg
NCD316SS	3	1.6Ah	Stick	60	10.0kg
NCD318SS	3	1.8Ah	Stick	60	10.0kg
NCD416SS	4	1.6Ah	Stick	60	12.0kg
NCD320SS	3	2.0Ah	Stick	60	10.0kg
NCD420SS	4	2.0Ah	Stick	60	12.0kg
NCD14SS	1	4Ah	Single cell	100	13.0kg
NCD24SS	2	4Ah	Stick	40	11.0kg
NCD34SS	3	4Ah	Stick	30	12.0kg
NCD44SS	4	4Ah	Stick	20	10.8kg
NCD54SS	5	4Ah	Stick	15	13.0kg
NCD64SS	6	4Ah	Stick	15	12.0kg
NCD24BS	2	4Ah	Side-by-side with mounting plate	40	11.0Kg
NCD34BS	3	4Ah	Side-by-side with mounting plate	30	13.0kg
NCD44BS	4	4Ah	Side-by-side with mounting plate	22	12.0kg
NCD54BS	5	4Ah	Side-by-side with mounting plate	18	12.0kg
NCD64PS	6	4Ah	Side-by-side	18	13.0kg



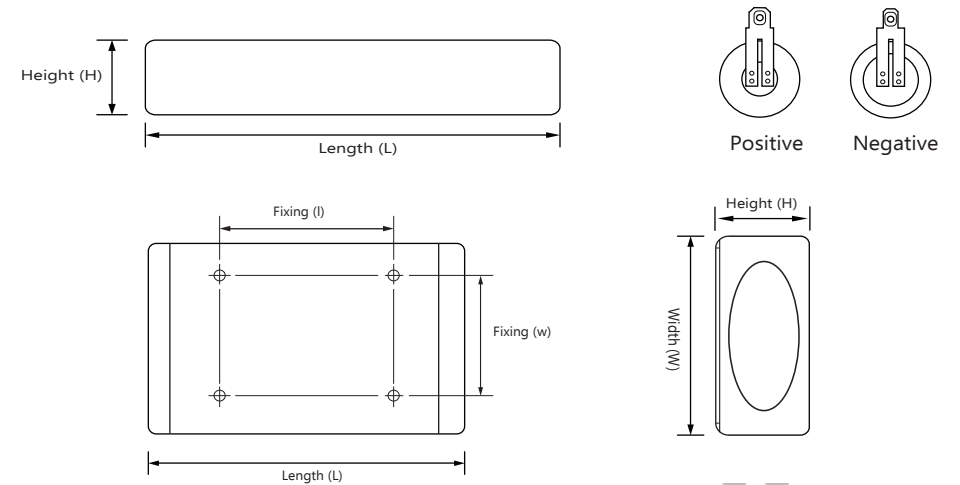


DIMENSIONS & ACCESSORIES | NICKEL CADMIUM (NiCd) BATTERIES

Model Number	Number of cells	Capacity	IEC Cell Size	Length (L)	Width (W)	Height (H)	Fixing (l)	Fixing (w)
NCD216SS	2	1.6Ah	'Sub-C' (SC/Cs)	86mm	23mm	23mm	(See end cap data)	
NCD316SS	3	1.6Ah		129mm	23mm	23mm		
NCD318SS	3	1.8Ah		129mm	23mm	23mm		
NCD416SS	4	1.6Ah		175mm	23mm	23mm		
NCD320SS	3	2.0Ah		129mm	23mm	23mm		
NCD420SS	4	2.0Ah		175mm	23mm <td 23mm			
NCD14SS	1	4Ah	'D'	60mm	34mm	34mm		
NCD24SS	2	4Ah		120mm	34mm	34mm		
NCD34SS	3	4Ah		180mm	34mm	34mm		
NCD44SS	4	4Ah		240mm	34mm	34mm		
NCD54SS	5	4Ah		300mm	34mm	34mm		
NCD64SS	6	4Ah		360mm	34mm	34mm		
NCD24BS	2	4Ah		66mm	63mm	36mm	n/a	40mm
NCD34BS	3	4Ah		99mm	63mm	36mm	32mm	40mm
NCD44BS	4	4Ah		132mm	63mm	36mm	64mm	40mm
NCD54BS	5	4Ah		165mm	63mm	36mm	96mm	40mm
NCD64PS	6	4Ah	198mm	63mm	34mm	96mm	40mm	

**Battery leads**

Batteries are supplied with single core flying leads with stripped ends as standard. These are 1000mm for sticks and 250mm for packs. A 100mm link wire 'CAS012' should be ordered separately if connecting sticks together. Many other lead options also available. Please enquire with your requirements.



**Product description**

- > End caps suitable for use with 'stick' D size batteries
- > End cap suitable for use with 'stick' Sub-C batteries



**Properties**

- > Provides a convenient and secure mounting option for
- > Moulded in UL94-V0 rated plastic
- > 'E' version offers slide together feature to produce secure side-by-side configuration
- > E/Slotted for tag connection or outlet for pre-soldered connections

NiCd Batteries - End cap ordering information			
Product Code	E	E/Slotted	E/SubC
Fixing Centres when fitted	Battery Length (L) + 20mm	Battery Length (L) + 17mm	Battery Length (L) + 21mm
Maximum Length when fitted	Battery Length (L) + 37mm	Battery Length (L) + 34mm	Battery Length (L) + 40mm

