

Product description

Omni-LED FLEXI™ is an effective solution for emergency conversion of luminaires using LED arrays. The compact, robust housing is supplied containing our Omni-LED™ emergency driver, re-chargeable battery and connection terminals. Removable end covers provide easy access for wiring and its articulated design allows installation through a ceiling cut-out of just 55mm diameter. This product offers an emergency solution for a wide range of applications and can be used with a separate mains driver for Maintained applications. It is also available pre-wired with cable assemblies for simple 'plug-and-play' convenience.

Omni-LED™ constant-power driver technology will run LED lamps or arrays from 9V – 200V, so making it easy to produce an emergency version of your existing LED luminaire* without the need for separate 'emergency' LEDs or connectors.

Features

- > Ideal for use with LED panels or downlights
- > 3 pole isolation of lamp & mains driver power during emergency*
- > 3 hour operation using 2 or 3 x 4Ah Nickel Cadmium (NiCd) or 4 x 4Ah Nickel Metal Hydride (NiMH) high temperature cells
- > Emergency output power (Typical): 2W - 4W (2 - 4 cell)
- > Green charge indicator LED with 750mm leads and bezel (OB1)
- > Also available with DALI Self-Test functionality if required
- > Molded in black UL94_V0 rated Poly carbonate
- > Driver complies with: EN61347-1, EN61347-2-7, EN55015, EN61000-3-2, EN61547
- > Conforms to EN60598-1 & EN60598-2-22
- > Mating panel plug & socket connections available on request
- > Supplied with an individual protective box and packed in an outer carton of 10 pieces. (MOQ 10 pieces)

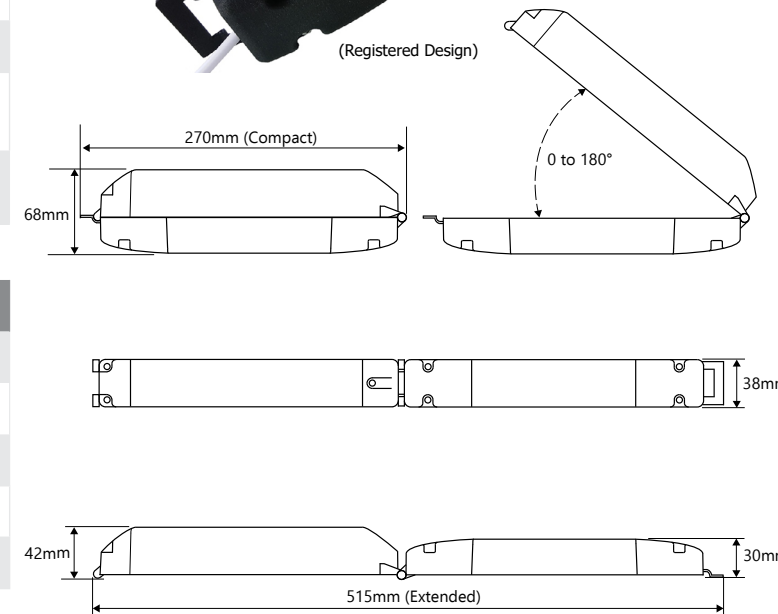
*Lamp switching current limitations apply. See applicable Omni-LED data for details.

Common Technical Data	
Input Supply Voltage	230V +/- 10%
Supply Frequency	50/60 Hz
LED Voltage Range	9 - 200V DC (See models below)
Battery Type	2.4, 3.6V NiCd or 4.8V NiMH
Ambient Temperature Range	5 - 35°C
IP Rating	IP20
Earth Leakage Current	<0.5mA
Weight	0.7kg (2-Cell), 0.8kg (3-Cell) 0.8kg (4-Cell)
Dimensions (mm)	Driver section 270(l) x 38(w) x 30(h) Battery section 255(l) x 38(w) x 42(h)

Model Number	Battery Pack	Emergency Driver
RBF55/2/M3	2 Cell NiCd	OL55/2/M3
RBF55/3/M3	3 Cell NiCd	OL55/3/M3
RBF55/4/M3	4 Cell NiMH	OL55/4/M3
RBF90/4/M3	4 Cell NiMH	OL90/4/M3
RBF200/4/M3	4 Cell NiMH	OL200/4/M3

For DALI Self-Test versions add '/DST' to the model numbers above.
Detailed emergency module data can be found here [Omni-LED/DST data sheet](#).

Please note: It is the users responsibility to ensure full compatibility of the Omni-LED FLEXI™ product for the intended application and for compliance of the emergency conversion to relevant Standards. Please contact our Technical department if you are in any doubt.



[Installation instructions available here](#)

