

**Product description**

Omni-LED FLEXI™ is an effective solution for emergency conversion of luminaires using LED arrays. The compact, robust housing is supplied containing our Omni-LED™ emergency driver, re-chargeable battery and connection terminals. Removable end covers provide easy access for wiring and its articulated design allows installation through a ceiling cut-out of just 55mm diameter. This product offers an emergency solution for a wide range of applications and can be used with a separate mains driver for Maintained applications. It is also available pre-wired with cable assemblies for simple 'plug-and-play' convenience.

Omni-LED™ constant-power driver technology will run LED lamps or arrays from 9V – 200V, so making it easy to produce an emergency version of your existing LED luminaire\* without the need for separate 'emergency' LEDs or connectors.

**Features**

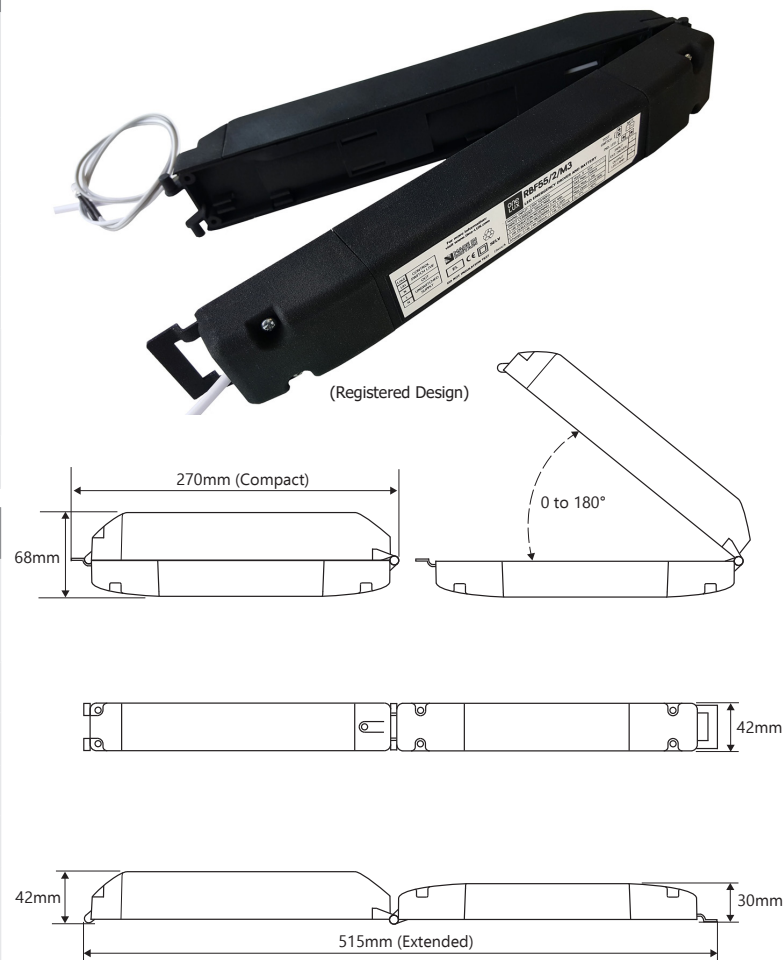
- > Ideal for use with LED panels or downlights
- > 3 pole isolation of lamp & mains driver power during emergency\*
- > 3 hour operation using Nickel Cadmium, Nickel Metal Hydride or Lithium Iron Phosphate cells
- > Mating panel plug & socket connections available on request
- > Also available with DALI Self-Test functionality
- > Emergency output power (Typical): 3W - 4W (3 - 4 cell)
- > Green charge indicator LED with 750mm leads and bezel (OB1)
- > Suitable for use with solid or stranded cables 0.2-1.5mm<sup>2</sup>
- > Molded in black UL94\_V0 rated Poly carbonate
- > Driver complies with: EN61347-1, EN61347-2-7, EN55015, EN61000-3-2, EN61547
- > Conforms to EN60598-1 & EN60598-2-22
- > Supplied with an individual protective box and packed in an outer carton of 10 pieces. (MOQ 10 pieces)

Common Technical Data	
Input Supply Voltage	230V +/- 10%
Supply Frequency	50/60 Hz
LED Voltage Range	9 - 200V DC (See models below)
Battery Types	NiCd, NiMH or LiFePO4
Ambient Temperature Range	5 - 35°C
IP Rating	IP20
Earth Leakage Current	<0.5mA
Weight	0.8kg
Dimensions (mm)	Driver section 270(l) x 38(w) x 30(h)

Model Number	Battery Pack	Emergency Driver
RBF55/3/M3	3.6V 4.0Ah NiCd	<a href="#">OL55/3/M3</a>
RBF55/4/M3	4.8V 4.0Ah NiMH	<a href="#">OL55/4/M3</a>
RBF90/4/M3	4.8V 4.0Ah NiMH	<a href="#">OL90/4/M3</a>
RBF200/4/M3	4.8V 4.0Ah NiMH	<a href="#">OL200/4/M3</a>
RBF55/3W/M3/LFP	3.2V/4.4Ah LiFePO4	<a href="#">OL55/3W/M3/LFP</a>
RBF55/4W/M3/LFP	6.4V/3.6Ah LiFePO4	<a href="#">OL55/4W/M3/LFP</a>
RBF90/4W/M3/LFP	6.4V/3.6Ah LiFePO4	<a href="#">OL90/4W/M3/LFP</a>
RBF200/4W/M3/LFP	6.4V/3.6Ah LiFePO4	<a href="#">OL200/4W/M3/LFP</a>

For DALI Self-Test versions add '/DST' to these model numbers listed. Detailed emergency module data can be found using the product links above.

Please note: It is the users responsibility to ensure full compatibility of the Omni-LED FLEXI™ product for the intended application and for compliance of the emergency conversion to relevant Standards. Please contact our Technical department if you are in any doubt.



\*Lamp switching current limitations apply. See applicable Omni-LED data for details.