

Product description

Omni-LED-LFP™ is a range of Maintained emergency lighting conversion modules for use with One-LUX LiFePO4 batteries.

They are housed in a compact low-profile enclosure and suitable for use in either internal or remote self-contained applications.

Their constant-power emergency driver technology with a SELV isolated output will run almost any LED lamp or array in the range of 6V – 230VDC including many GU10 and Linear tubes, so making it easy to produce an emergency version of your existing LED luminaire without the need for separate 'emergency' LEDs or connectors. They are available with 2W to 12W of emergency power and for 1 or 3 hour autonomy.

Features

- > Wide range of lamp voltage and power options available
- > 3-pole switching provides full isolation of lamp connections and mains driver's power supply during emergency operation
- > Universal module with user-selectable 1 or 3 hour autonomy
- > Also available with Self-Test and DALI
- > Constant-current charger with short-circuit protection and polarised battery socket
- > Batteries include voltage, current and thermal protection
- > Input for optional manual low-voltage emergency test switch
- > Additional side fixing points allows mounting in restricted spaces
- > Operates High-brightness green charge LEDs. (250mm supplied. Other lengths available on request.
- > Designed and manufactured in Great Britain
- > Complies with: EN61347-1, EN61347-2-7, EN61347-2-13, EN55015, EN61000-3-2, EN61547
- > Suitable for luminaires conforming to EN60598-2-22

Common Technical Data	
Input Supply Voltage	230V +/- 10%
Supply Frequency	50/60 Hz
Output Voltage of the Range	9 - 230Vdc
Maximum TC Point	80°C
Ambient Temperature Range	0°C - 50°C
Battery Charge Time	<24 Hours
IP Rating	IP20
Weight	90g

Model Number	LED Voltage Range	Emergency Power
OL55/3W/M3/LFP	12 - 55V	3W
OL55/4W/M3/LFP	12 - 55V	4W
OL80/2W/M3/LFP	10 - 80V	2W
OL90/4W/M3/LFP	55 - 90V	4W
OL200/4W/M3/LFP	90 - 200V	4W
OL230/4W/M3/LFP	90 - 230V	4W
OL230/8W/M3/LFP	90 - 230V	8W
OL230/12W/M3/LFP	90 - 230V	12W

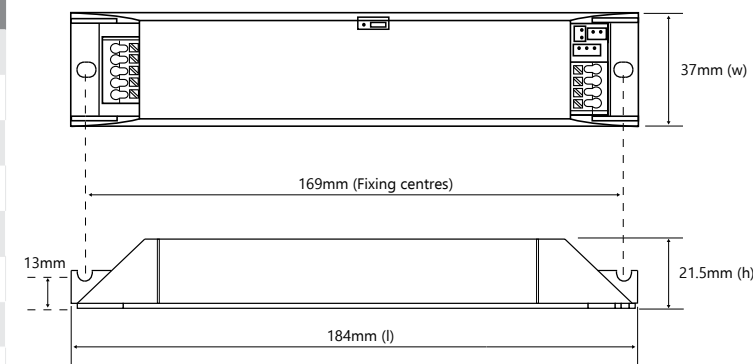
DALI/ Self-Test

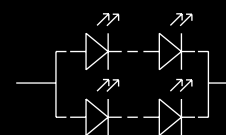
For DALI Self-Test versions add '/DST' to the product codes above.

Please note '/DST' not yet available for OL230V versions.

Accessories

A range of batteries and accessories are available, please refer to accessories section.



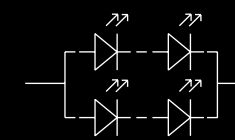


TECHNICAL INFORMATION

Model Number	Mains Input Characteristics - Charging Mode				
	Autonomy Setting	Nominal Circuit Watts*	Input Current	Inrush Current	Power Factor
OL55/3W/M3/LFP	1 hour	2.5W	10-40mA (25.5mA)	4A pk	0.57
	3 hours	3.5W	10-40mA (25.5mA)	4A pk	0.57
OL80/2W/M3/LFP	1 hour	2.0W	10-40mA (25.5mA)	4A pk	0.57
	3 hours	2.5W	10-40mA (25.5mA)	4A pk	0.57
OL55/4W/M3/LFP, OL90/4W/M3/LFP OL200/4W/M3/LFP	1 hour	3.5W	10-40mA (33mA)	6.5A pk	0.69
	3 hours	5.5W	10-40mA (33mA)	6.5A pk	0.69
OL230/4W/M3/LFP	1 hour	3.5W	10-40mA (33mA)	6.5A pk	0.69
	3 hours	5.5W	10-40mA (33mA)	6.5A pk	0.69
OL230/8W/M3/LFP	1 hour	3.5W	10-45mA (32mA)	8.2A pk	0.66
	3 hours	5.0W	10-45mA (32mA)	8.2A pk	0.66
OL230/12W/M3/LFP	1 hour	3.5W	10-47.5mA (37.5mA)	8.5A pk	0.70
	3 hours	6.0W	10-47.5mA (37.5mA)	8.5A pk	0.70

* This figure may be used for LENI 'Parastic Power' calculations.

Model Number	Emergency Mode								
	Nominal Battery Capacity (1 hour/ 3 hours)	Battery Volts Range (Charge Mode)	Battery Charge Current Range	Battery Volts Range Min/ Nom/ Max (Discharge Mode)	Battery Discharge Current Nominal/ Range	DDP Voltage	LED Voltage Range	Max Output Power **	Uout Max (open Circuit)
OL55/3W/M3/LFP	2.2Ah/ 4.4Ah	2 - 8V	0 -220mA	2V/ 3.2V/ 3.6V	1.05A /(0.8 - 1.2A)	2.8V (min)	12 - 55V	3W	80V
OL55/4W/M3/LFP	2.2Ah/ 3.6Ah	4 - 10V	0 -210mA	4V/ 6.4V/ 7.2V	1.05A /(0.8 - 1.2A)	6.0V (min)	12 - 55V	4W	80V
OL80/2W/M3/LFP	2.2Ah/ 3.6Ah	2 - 8V	0 -210mA	2V/ 3.2V/ 3.6V	1.05A /(0.8 - 1.2A)	3.0V (min)	6 - 80V	2W	100V
OL90/4W/M3/LFP	2.2Ah/ 3.6Ah	4 - 10V	0 -210mA	4V/ 6.4V/ 7.2V	1.05A /(0.8 - 1.2A)	6.0V (min)	55 - 90V	4W	100V
OL200/4W/M3/LFP	2.2Ah/ 3.6Ah	4 - 10V	0 -210mA	4V/ 6.4V/ 7.2V	1.05A /(0.8 - 1.2A)	6.0V (min)	90 - 200V	4W	260V
OL230/4W/M3/LFP	2.2Ah/ 3.6Ah	6 - 11V	0 -220mA	6V/ 9.6V/ 10.8V	1.05A /(0.8 - 1.2A)	8.0V (min)	90 - 230V	4W	260V
OL230/8W/M3/LFP	2.2Ah/ 3.6Ah	6 - 11V	0 -220mA	6V/ 9.6V/ 10.8V	0.9A /(0.85-0.95A)	8.0V (min)	90 - 230V	8W	260V
OL230/12W/M3/LFP	3.6Ah/ 6.0Ah	6 - 11V	0 -365mA	6V/ 9.6V/ 10.8V	1.05A /(0.8 - 1.2A)	8.0V (min)	90 - 230V	12W	260V



ACCESSORY | LITHIUM IRON PHOSPHATE (LiFePO4) BATTERIES

Applicable LiFePO4 battery packs to OMNI-LED models

		Battery Options									
		1 x 22650	2 x 22650 Stick	1 x 26650	2 x 22650 Pack	3 x 18650 Stick	2 x 22650 Stick	2 x 26650 Stick	3 x 22650 Stick	3 x 26650 Stick	12 x 18650 Pack
Model Number		LFP3.2V/2.2Ah	LFP3.2V/4.4Ah/SS	LFP3.2V/3.6Ah	LFP3.2V/4.4Ah/PS	LFP3.2V/4.5Ah/SS	LFP6.4V/2.2Ah/SS	LFP6.4V/3.6Ah/SS	LFP9.6V/2.2Ah/SS	LFP9.6V/3.6Ah/SS	LFP9.6V/6Ah/QS
OL55/3W/M3/LFP	1 hour	✓									
	3 hours		✓		✓	✓					
OL55/4W/M3/LFP	1 hour						✓				
	3 hours							✓			
OL80/2W/M3/LFP	1 hour	✓									
	3 hours			✓				✓			
OL90/4W/M3/LFP	1 hour						✓				
	3 hours							✓			
OL200/4W/M3/LFP	1 hour						✓				
	3 hours							✓			
OL230/4W/M3/LFP	1 hour						✓				
	3 hours							✓			
OL230/8W/M3/LFP	1 hour								✓		
	3 hours									✓	
OL230/12W/M3/LFP	1 hour									✓	
	3 hours										✓

Document under development and product specifications may be subject to change without prior notice.

Iss B April 2021