



**Product description**

The OLX-XTS range of IP65 emergency lighting twinspots are used in environments such as warehouses, car parks, sports halls, assembly points and many other indoor and outdoor environments requiring flood lighting of an open area.

Both manual and automatic self-test versions can be easily checked using the OLX-XRC remote control, available to purchase separately. Self-test models provide diagnostics via the status indicators, either when the unit has completed an automatic test or when initiated from the remote control. Using the remote control allows facilities managers to be selective and flexible about when emergency tests are carried out, thereby minimising disruption to building occupants.

The remote control can be used with both manual and self-test versions.

**Features**

- Suitable for escape routes, anti-panic areas.
- Industry standard size suitable for new installations or retro fit.
- Wall mountable with multiple M20 wire entry points.
- Latest generation LEDs.
- Speedy maintenance and testing using OLX-XRC remote control, compatible with ALL models!

**Light source**

2 x sealed LED Lamp unit, rated for 50,000 hrs operation\*.  
CCT 3000K.

**Properties**

Housing - UL94/V0 rated white Polycarbonate.  
Lamp lens and base - UL94/V0 rated Polycarbonate.  
Luminaire conforms to EN 60598-2-22  
Suitable for installations to EN 50172

**Installation**

Wall mounting. Fixings included in packaging.

PD-OLX-XTS-Iss1b

Common Technical Data	
Input Supply Voltage	230V +/- 10% 50/60Hz
Input Power	0.5W
Light Output (Lumens)	450lm
Battery Type	LiFePO <sup>4</sup>
Operating Temperature Range	0 - 40°C
IP Rating	IP65
Weight	1.27Kg

L70 50,000 Hrs
LiFePO<sup>4</sup>
450 lm
IP65
IK10

\*L70 TM-21 test conditions

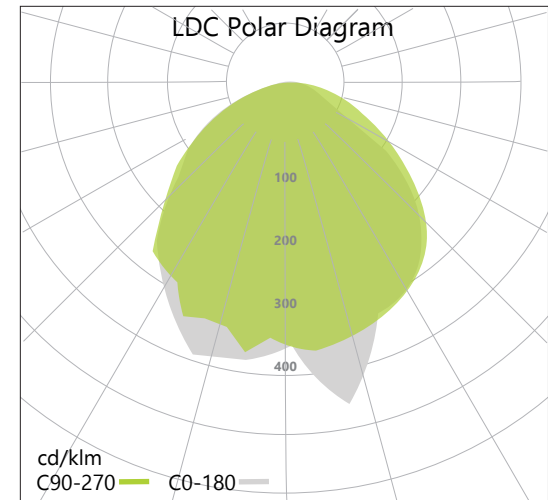


**Ordering Information**

Part Number	Testing Facility	Remote control part number	Operating Temperature	Net Weight
OLX-XTS/450/NM3/LFP	Manual Test	OLX-XRC	0-40°C	1.27Kg
OLX-XTS/450/NM3/LFP/ST	Self-Test	OLX-XRC	0-40°C	1.27Kg

**Polar LDC with zero tilt**

The photometric file is available from our website or via our Technical Department.



**Operation**

Non Maintained - 450 lumen output provided upon mains failure only.  
Manual and automatic self-testing models available.  
Any model may be easily tested/inspected using the OLX-XRC remote control.

**Remote Control (sold separately)**

**Manual Test Operation**

This luminaire must be tested and inspected at regular intervals by a competent person in accordance with EN 50172.  
Testing can be facilitated by using the OLX-XRC remote control device (sold separately). A function or full duration test may be initiated from the handset. The luminaire will automatically resume normal operation after the test is complete.

If the rated duration of 3 hours is not met, then the batteries need to be replaced.

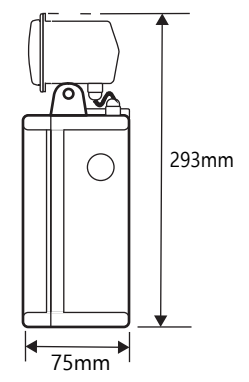
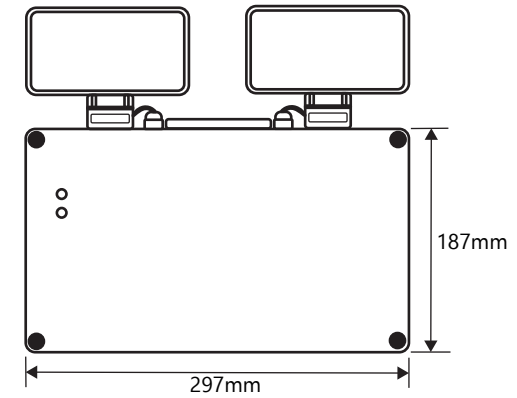
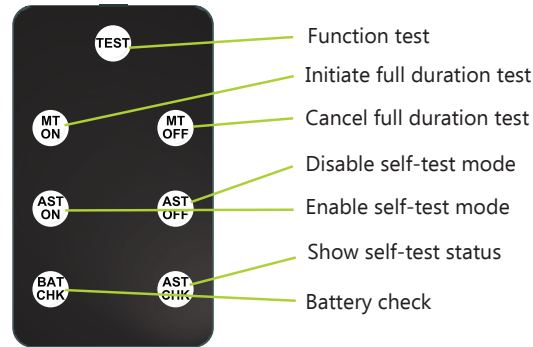
**Commissioning**

The self-test function will randomly carry out a full duration test between no less than 16 hours and up to a maximum of 4 weeks after installation. After the commissioning cycle is complete, regular automatic testing will commence as per below:

- Weekly for a duration of 30 seconds.
- On the 52nd week, a full duration test will be performed.

**Self-Test Operation**

Luminaires with this feature will automatically carry out regular testing and report the result via the red and green LED indicators as per the chart below. Additional functionality and features of the self-test product can be accessed using the OLX-XRC remote control. Further information can be found in the accompanying manual supplied with the remote control.



Green LED	RED LED	G	R	Status	Action Required
Continuous	OFF	●	○	OK	-
Normal Flash	OFF	○	○	Charging	-
OFF	Solid ON	○	●	Battery disconnected / Duration test failure	Connect or replace battery
Fast Flash	OFF	○	○	Function / Duration test in progress	-
Normal Flash	Normal Flash	○	●	Battery temperature error	Inspect and replace battery
OFF	Normal Flash	○	●	Lamp fault	Replace Luminaire

○ Normal flash = 1Hz (once per second)

○ Fast flash = 2Hz (twice per second)