



Product description

The OLX-XXB range of versatile exit luminaires is suitable for use in a wide range of environments such as schools, shopping centres, warehouses, offices, car parks and all types of indoor escape route applications. They offer multiple mounting methods including surface, suspended and recessed. They are supplied with the up arrow fitted as standard and all directions are included in the pack. All mounting accessories are included except for the recess kit which is available to purchase separately.

Both manual and automatic self-test versions can be easily checked using the OLX-XRC remote control, available to purchase separately. Self-test models provide diagnostics via the status indicators, either when the unit has completed an automatic test or when initiated from the remote control. Using the remote control allows facilities managers to be selective and flexible about when emergency tests are carried out, thereby minimising disruption to building occupants.

The remote control can be used with both manual and self-test versions.

Features

- Suitable for escape routes and final exit signs
- Industry standard format suitable for new installations or retro fit
- Wall, ceiling surface, suspended and recessed mounting options
- Latest generation LED's
- Speedy maintenance and testing using OLX-XRC remote control, compatible with ALL models!

Properties

Housing - UL94/V0 rated white Polycarbonate
 Legends - UL94/V0 rated clear Polycarbonate
 Lens - PMMA
 Surface mounting brackets - White powder coated steel
 Luminaire conforms to EN 60598-2-22
 Suitable for installations to EN 50172

Light source

Linear LED PCB, rated for 50,000 hrs operation*

Installation

Ceiling or wall mounted to surface using supplied bracket. Fixings included in packaging
 Suspended to ceiling. Fixing included in packaging
 Recessed fixing bracket available to purchase separately
 Supplied with up arrow legend. Other directions available to order

Common Technical Data	
Input Supply Voltage	230V +/- 10% 50/60Hz
Input Power (M / NM)	2W / 0.5W
Viewing Distance	24m
Battery Type	LiFePO ⁴
Operating Temperature Range	0 - 40°C
IP Rating	IP20
Weight	1Kg



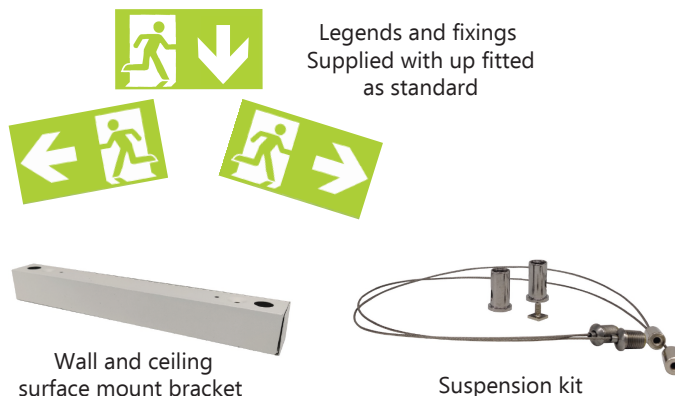
*L70 TM-21 test conditions



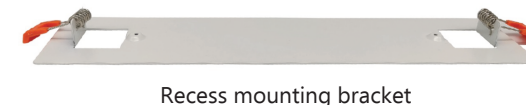
Ordering Information

Part Number	Testing Facility	Remote control part number	Operating Temperature	Net Weight
OLX-XXB/024/M3/LFP	Manual Test	OLX-XRC	0-40°C	1Kg
OLX-XXB/024/M3/LFP/ST	Self-Test	OLX-XRC	0-40°C	1Kg
OLX-XXB/RK	-	-	-	-

Mounting Accessories (included in pack)



Accessories (available to order separately)





Operation

Maintained - 1W light source. Switchable, rated for 50,000hrs operation*

Non Maintained - illumination of legend provided upon mains failure only

Manual and automatic self-testing models available

Any model may be easily tested/inspected using OLX-XRC remote control

Remote Control (sold separately)

Manual Test Operation

This luminaire must be tested and inspected at regular intervals by a competent person in accordance with EN 50172.

Testing can be facilitated by using the OLX-XRC remote control device (sold separately). A function or full duration test may be initiated from the handset. The luminaire will automatically resume normal operation after the test is complete.

If the rated duration of 3 hours is not met, then the batteries need to be replaced.

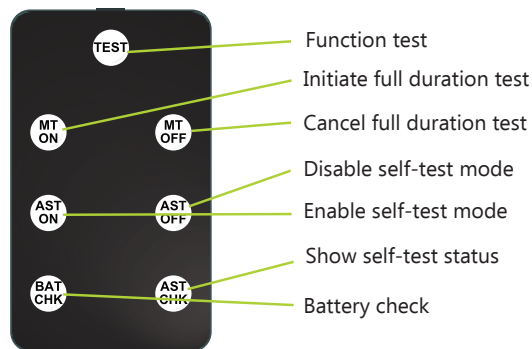
Commissioning

The self-test function will randomly carry out a full duration test between no less than 16 hours and up to a maximum of 4 weeks after installation. After the commissioning cycle is complete, regular automatic testing will commence as per below:

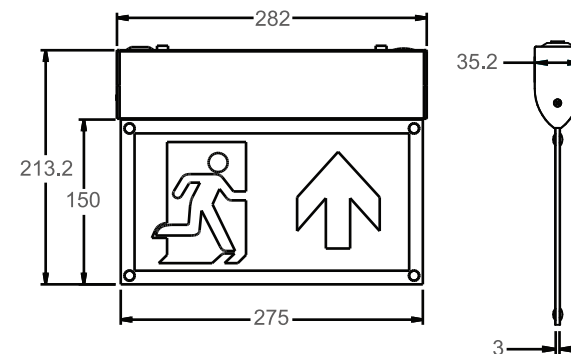
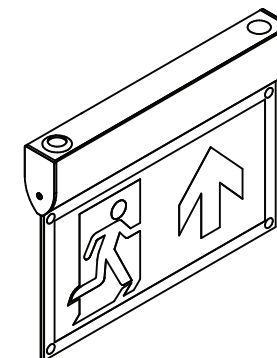
- Weekly for a duration of 30 seconds.
- On the 52nd week, a full duration test will be performed.

Self-Test Operation

Luminaires with this feature will automatically carry out regular testing and report the result via the red and green LED indicators as per the chart below. Additional functionality and features of the self-test product can be accessed using the OLX-XRC remote control. Further information can be found in the accompanying manual supplied with the remote control.



Dimensions



Green LED	RED LED	G	R	Status	Action Required
Continuous	OFF	●	○	OK	-
Normal Flash	OFF	◉	○	Charging	-
OFF	Solid ON	○	●	Battery disconnected / Duration test failure	Connect or replace battery
Fast Flash	OFF	◉	○	Function / Duration test in progress	-
Normal Flash	Normal Flash	◉	●	Battery temperature error	Inspect and replace battery
OFF	Normal Flash	○	●	Lamp fault	Replace Luminaire

◉ Normal flash = 1Hz (once per second)

◉ Fast flash = 2Hz (twice per second)